



Concrete Equipment Suppliers Australia Pty Ltd

Paringa Avenue Somerton Park SA 5044

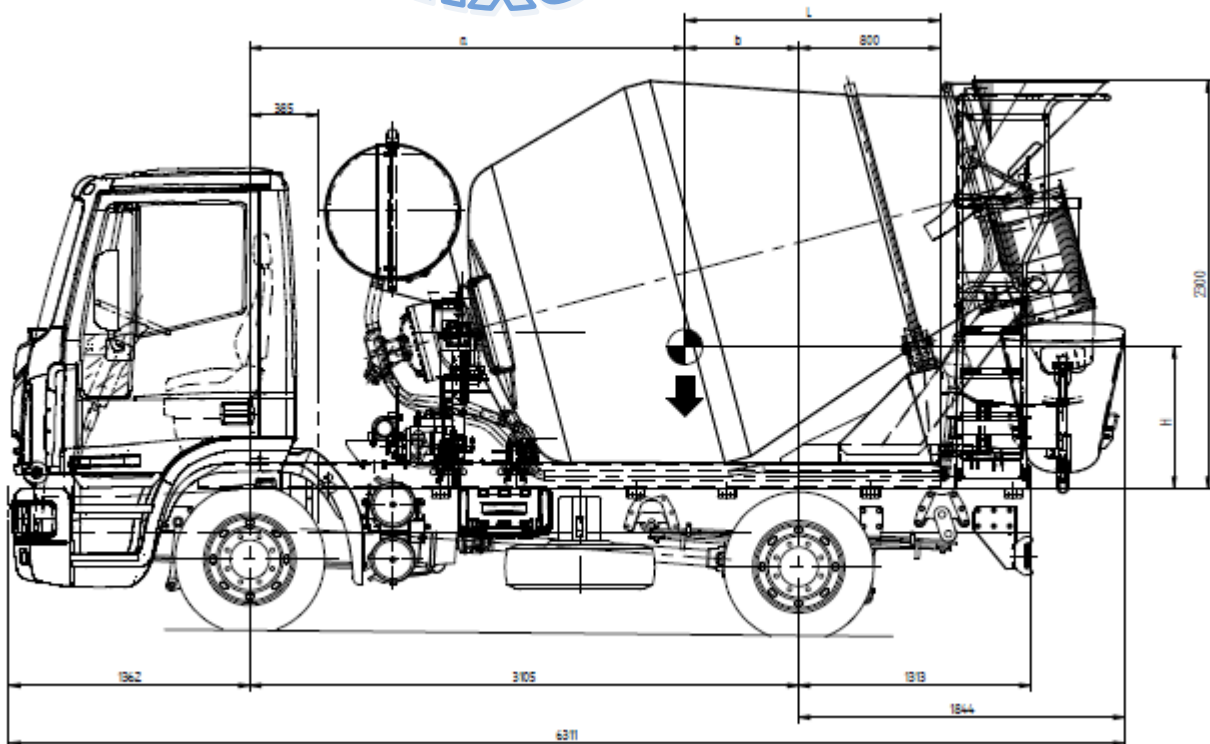
Ph: +61 8 83513866 Fax: +61 8 82978647

Email: admin@concreteequipment.com.au

www.concreteequipment.com.au



LT35H Mixer



TRUCK TYPE	MECO EURO CARGO ML150E25K 4X2						
WHEEL BASE	3105 +0						
MIXER TYPE	LT 3.7 H Ø2200						
WEIGHT (KG)							
	P	L	a	b	FRONT	REAR	TOTAL
TRUCK+MIXER EMPTY	2800	1265	2640	465	3414	3896	7310
TRUCK					2995	1515	4510
$P = V \times 2350 + 2800 + 280$							
WEIGHT (KG)							
	P	L	a	b	FRONT	REAR	TOTAL
P1: V = 3,15 m ³	10490	1443,9	2461,1	643,9	5170	9830	15000
P2: V = 4 m ³	12480	1420,6	2484,4	620,6	5489	11501	16990
P3: V = 3,5 m ³	11305	1437,2	2467,8	637,2	5315	10500	15815
P4: V = 3 m ³	10130	1456,6	2448,4	656,6	5137	9503	14640
P5: V = 2,5 m ³	8955	1479,6	2425,4	679,6	4955	8510	13465
P6: V = 2 m ³	7780	1506,6	2398,4	706,6	4765	7525	12290